

MT Range of Multi-Tone Sounders



Banshee^{MT}

Wafer^{MT}

FlashTone^{MT}

DATASHEET

VIMPEX

Shaping Alarm Technology

Banshee^{MT} and Wafer^{MT} Sounders



The MT Range of Multi-Tone sounders represents the most modern, acoustically advanced and by far the most flexible range of conventional electronic sounders and combined sounder/strobes available on the market today.

The Banshee^{MT}, FlashTone^{MT} and Wafer^{MT} come with 32 user-selectable tones incorporating low frequencies, high frequencies, European, American and Australian norms and all industry standard frequency patterns. Tested and approved to EN 54 Part 3, the Banshee^{MT} boasts leading acoustics, modern curves and low power consumption.

The Wafer^{MT} is the thinnest platform sounder on the market and is renowned for its 360° sound dispersal.

With beauty running in the family, the FlashTone^{MT} combination unit offers all of the modern features and functionality of the Banshee^{MT} but with the addition of several different coloured strobes to enhance the evacuation signal.

The Multi-Tone range is complemented by a wide selection of accessories to suit all applications. Together, the MT Range is unmatched for diversity and ease of installation.

Banshee^{MT}

- Industry leading sounder with enhanced aesthetics
- 32 user-selectable tones - industry standard compatible
- EN 54 part 3 tested and compliant
- LPCB and VdS approved
- Simple push and twist bayonet mounting with locking screw
- Easy to install with side and rear cable entry
- Robust 'two in two out' 2.5mm terminals
- Choice of three volume levels
- Very low current consumption
- Extensive series of accessories for a wide range of applications



Wafer^{MT}

- 32 tones designed to be compatible with Banshee^{MT}
- Slimmest profile in the industry
- Colours matched to leading detectors
- Omni-directional sound (see Polar Plot overleaf)
- Low current consumption
- Choice of three volume levels
- Installer friendly terminals
- Suitable for ceiling or wall mounting
- Front plate for stand-alone use available
- Robust and easily connected 'two in two out' 2.5mm terminals
- Supplied with fixing screws



FlashTone^{MT} Sounder Strobe

The FlashTone^{MT} combines the modern aesthetics of the Banshee^{MT} multi-tone sounder and the very latest strobe technology to create an extremely efficient strobe/sounder combination.

Available in a wide choice of lens colours, the FlashTone^{MT} will suit the majority of fire and security needs where conventional sound requires the back-up of a visual alarm.



- Low power consumption
- Easily installed
- Deep base available to IP66
- Wide range of lens colour options
- Modern aesthetic design
- Incorporates all features and tones of the Banshee^{MT}

Accessories

A range of purpose made accessories is available for the MT Range of electronic sounders.

Combination Bracket

Ideal for applications that demand both audible and visual alarms. The bracket allows any combination of Banshee^{MT} and strobe/beacon to be simply mounted on a single bracket, without compromising on light or sound output.



Flush Mounting Ring

This bracket allows the Banshee^{MT} or FlashTone^{MT} to be flush mounted into suspended ceilings, providing an aesthetically pleasing solution for areas such as offices, meeting rooms and reception areas.



Wall Fixing Clip



Designed to be fitted as a mounting collar around the MT Range deep base. This provides a wall mounting solution that does not require holes to be drilled through the deep base, thereby enhancing the weatherproof

rating. This is particularly useful for external or harsh environments.

Mains Pack

The 110/230V ac to 24V dc IP66 weatherproof mains pack allows the use of any Banshee^{MT} or FlashTone^{MT} to be powered directly from a mains supply. Ideal for the replacement of mains powered bells or to enable a stand-alone unit to be separate from the fire alarm system. Provides ample current to power a stand-alone Banshee^{MT} or FlashTone^{MT} unit.



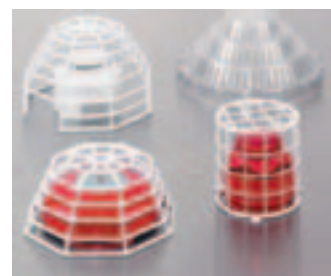
Wafer^{MT} Cable Spacing Ring



Designed to allow the Wafer^{MT} base sounder to be surface mounted on to a ceiling or wall.

Steel Web Stoppers

Super-tough plastic coated protective guards used to protect devices from damage caused by vandalism, theft, tampering or accidents. They can protect fire and security detectors, sounders, strobes, bells and clocks.



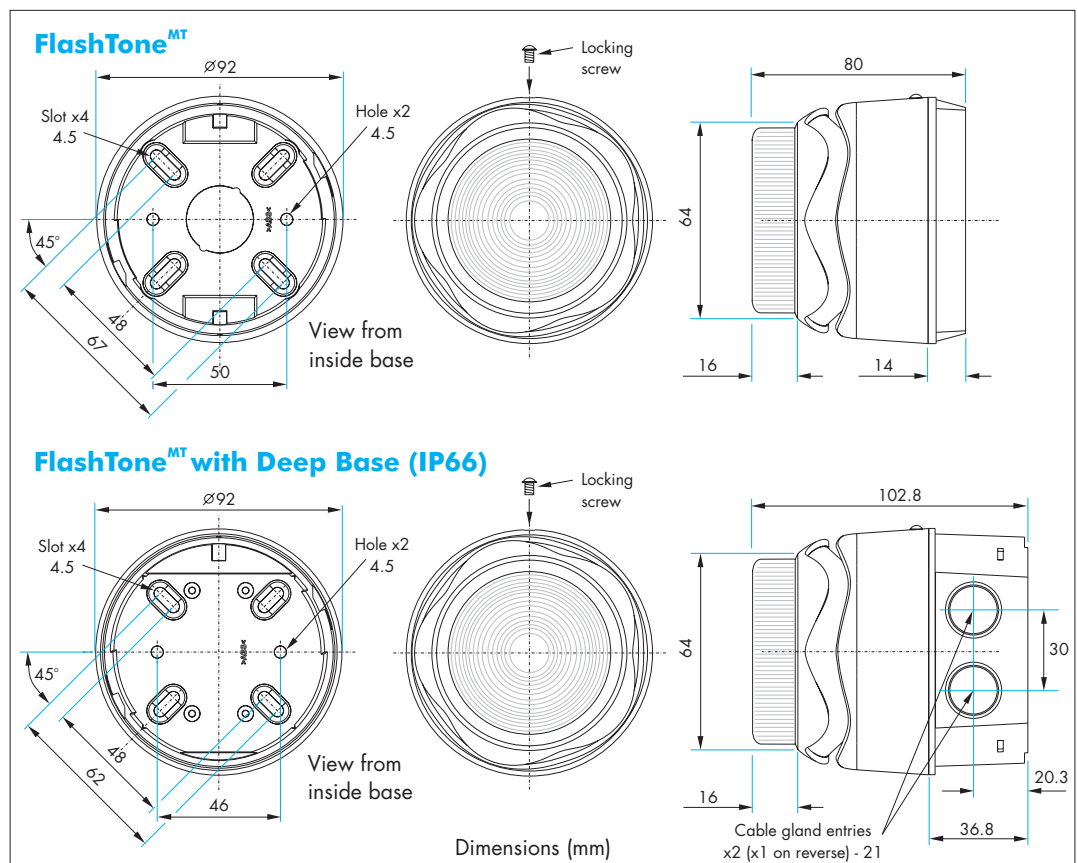
Specification

Model	Banshee ^{MT}	Wafer ^{MT}	FlashTone ^{MT}
Operating Voltage	9 - 30 Vdc		
Mean Current mA @12V	Note 1		Strobe: 90 max + Sounder
Mean Current mA @24V	Note 1		Strobe: 40 max + Sounder
Body Colours	Red, White & Grey	Various whites to match detectors	Red & White
Temperature Range	-40 to +70°C		-20 to +60°C
Weatherproofing	IP45 or IP66 (Deep Base)	Internal use only	IP45 or IP66 (Deep Base)
Volume control	Switched between - high, medium (-10dBA), low (-20dBA)		
Connections	Two 3 way terminal blocks for loop in/out wiring offering continuous override and dual signalling facility		
Nominal Flash Energy			1W
Flash Rate			60/minute
Lens Colours			Red, Clear, Green, Blue & Amber

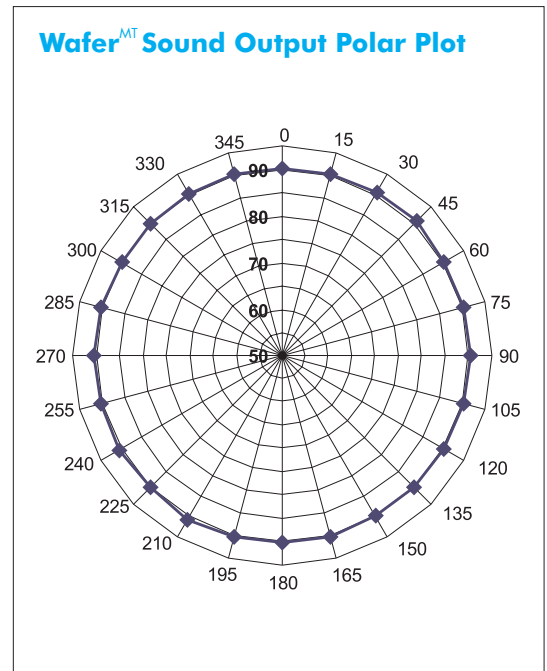
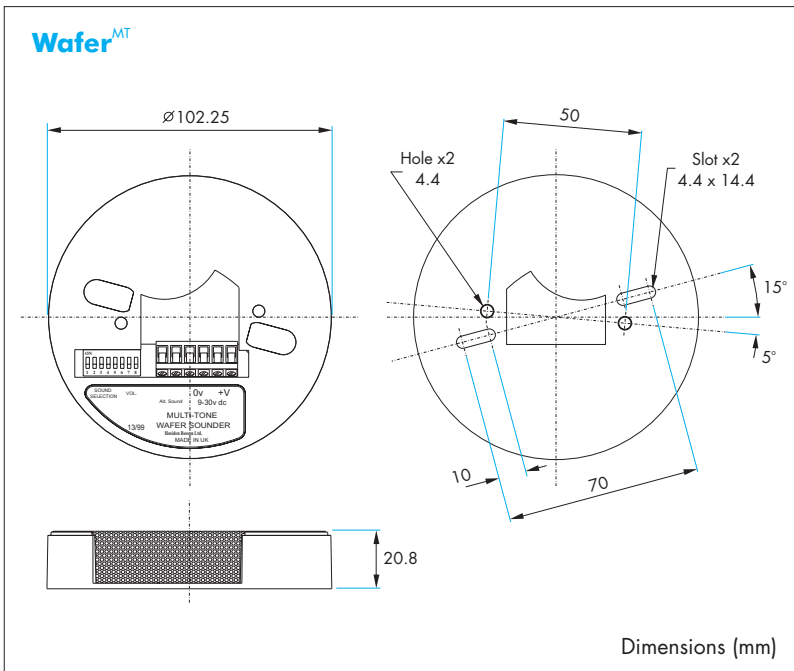
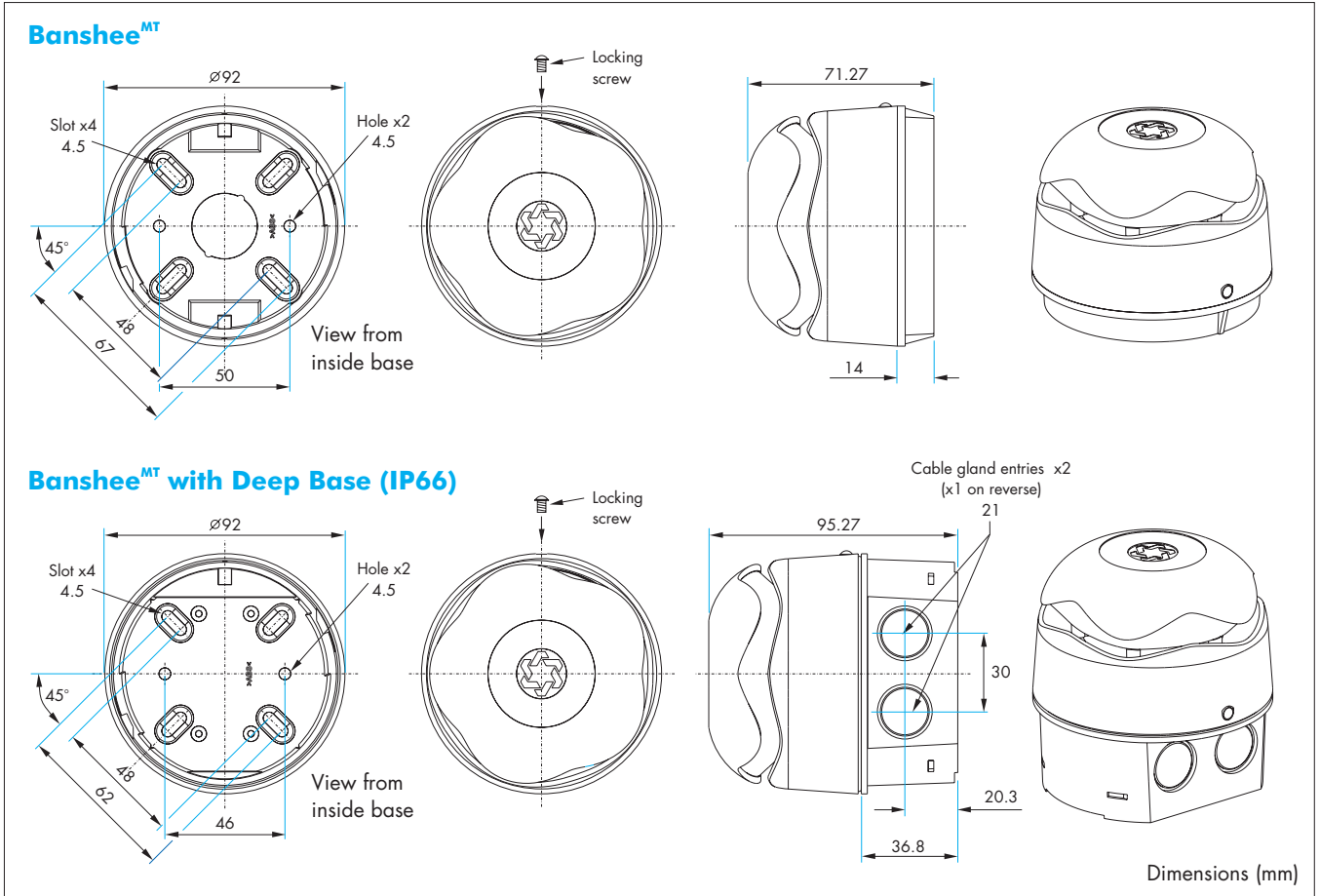
Further manufacturers acoustic data can be downloaded from www.vimpex.co.uk.

Note1. See Tone Specification table on back page

FlashTone^{MT} Installation



Banshee^{MT} and Wafer^{MT} Installation

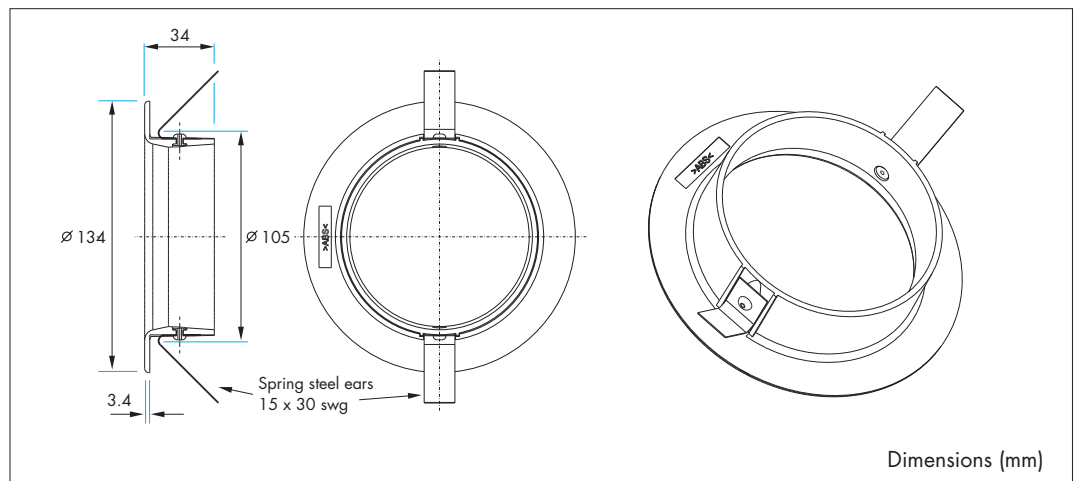


Accessories Specification

Accessory	Part No.	Use with ▷	Banshee ^{MT}	FlashTone ^{MT}	Wafer ^{MT}
Flush Mounting Ring	8502900		✓	✓	
Combination Bracket	8503000		✓	✓	
Mains Pack	8502700		✓	✓	
Wall Fixing Clip	8503100		✓	✓	
Wafer ^{MT} Cable Spacing Ring	8502800				✓
Steel Web Stopper: Low Profile Cage (Supplied with full fixing kit)	S9615/A		✓	✓	
Steel Web Stopper: Surface Wiring Cage (Supplied with full fixing kit)	S9605		✓	✓	✓
Steel Web Stopper: Wafer/Bell Cage - Flush wiring (Supplied with full fixing kit)	S9604				✓

Accessories Installation

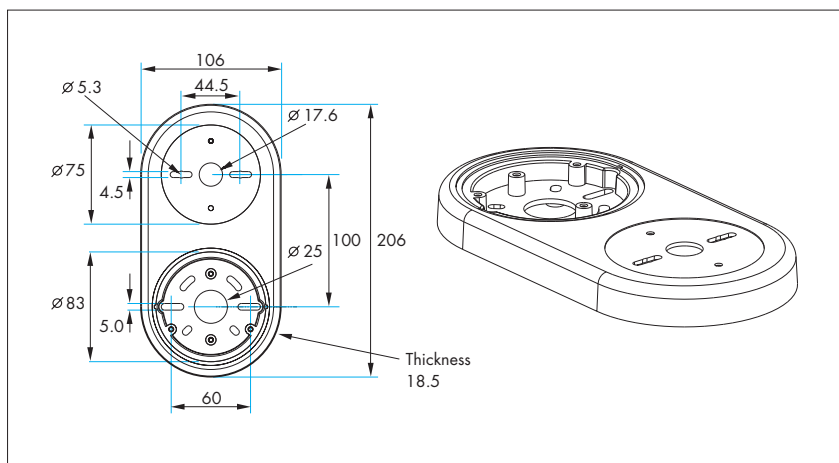
Flush Mounting Ring



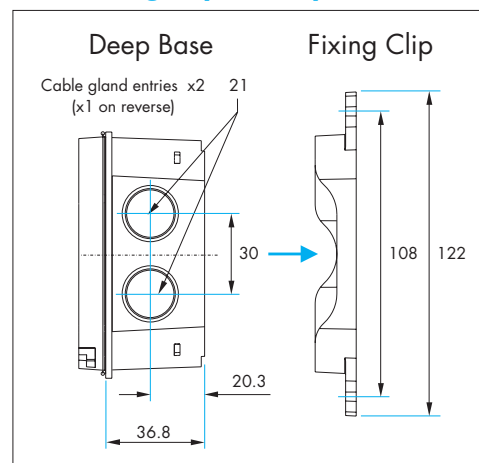
Accessories Installation

Dimensions (mm)

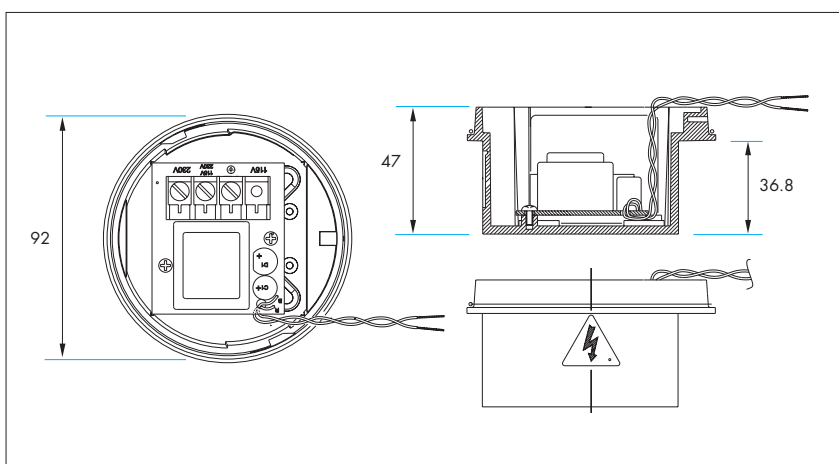
Combination Bracket



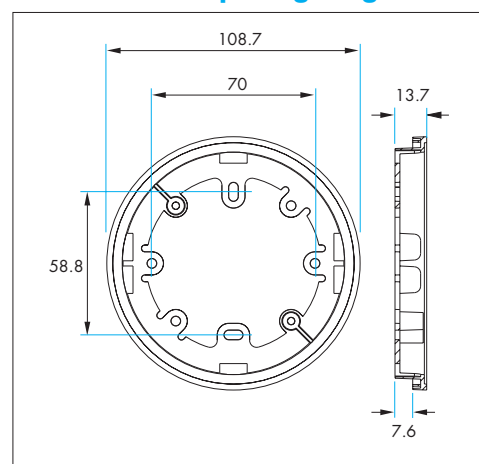
Wall Fixing Clip & Deep Base



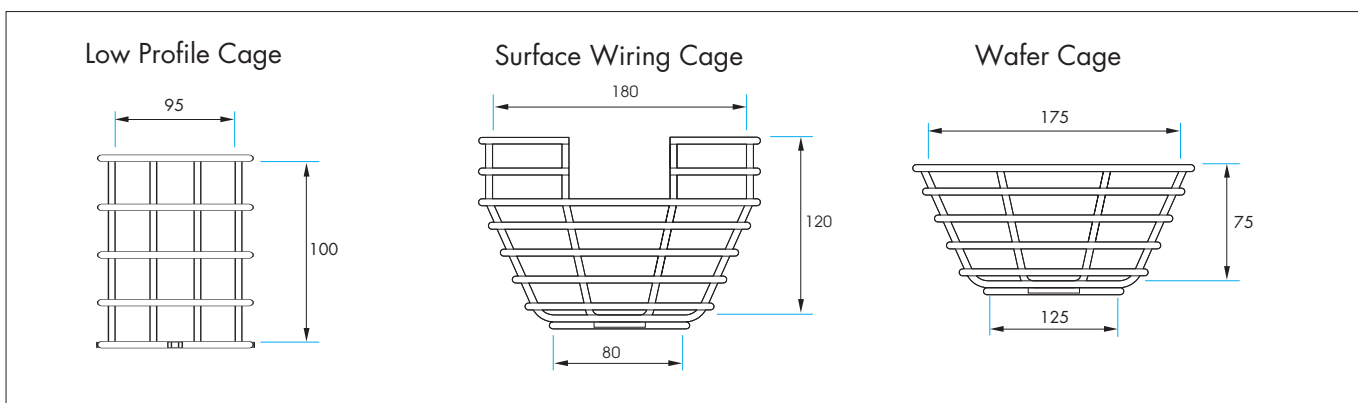
Mains Pack



Wafer^{MT} Cable Spacing Ring



Steel Web Stopper



Tone Specification

Tone Information		Banshee ^{MT} (12V)			Banshee ^{MT} (24V)			Wafer ^{MT} (12V)			Wafer ^{MT} (24V)		
No.	Description	Frequency and Timing	2nd Tone	dBa (Typ)	mA (Typ)	dBa (Typ)	mA (Typ)	dBa (Typ)	mA (Typ)	dBa (Typ)	mA (Typ)	dBa (Typ)	mA (Typ)
1	Banshee LF Buzz	800Hz to 950Hz swept at 120Hz [†]	4	94	6	100	12	85	6	91	13		
2	Banshee LF Fast Sweep	800Hz to 950Hz swept at 9Hz [†]	4	94	6	100	12	84	6	90	13		
3	Banshee LF Slow Sweep	800Hz to 950Hz swept at 3Hz [†]	4	94	6	100	12	84	6	90	13		
4	Banshee LF Continuous	Continuous at 850Hz [†]	4	95	6	101	12	84	6	90	13		
5	Banshee LF Fast Sweep (New)	830Hz to 970Hz swept at 9Hz [†]	4	95	6	101	12	84	6	90	13		
6	Medium Sweep LF	800Hz to 970Hz swept at 1Hz [†]	7	95	6	102	12	84	6	90	13		
7	Continuous LF	Continuous at 970Hz [†]	7	97	6	103	12	84	7	90	14		
8	Back Up Alarm LF	Intermittent at 950Hz 1s on, 1s off [†]	4	97	4	103	7	84	4	90	8		
9	Alternate LF	Alternating 800Hz/1000Hz, 0.5s each sound [†]	4	94	8	101	14	84	7	90	14		
10	Medium Sweep LF	800Hz to 1000Hz swept at 0.5s [†]	4	95	5	101	12	84	6	90	13		
11	Alternate LF	Alternating Tones 800/950 at 3Hz [†]	4	96	6	103	14	84	7	90	14		
12	Banshee/Bedlam HF Buzz	2400Hz to 2900Hz at 120Hz	15	102	12	110	25	90	15	96	30		
13	Banshee/Bedlam HF Fast Sweep	2400Hz to 2900Hz at 9Hz	15	103	12	110	25	92	15	98	30		
14	Banshee/Bedlam HF Slow Sweep	2400Hz to 2900Hz at 3Hz	15	103	12	110	25	90	15	96	30		
15	Banshee/Bedlam HF Continuous	Continuous 2900Hz*	15	105	12	112	30	94	13	100	30		
16	Banshee HF Fast Sweep (New)	2450Hz to 3100Hz swept at 9Hz	15	103	12	110	25	87	14	94	31		
17	Back Up Alarm HF	Intermittent at 2900Hz 1s on, 1s off*	15	105	7	112	15	95	8	101	16		
18	Alternate HF	Alternating Tones 2400/2900 at 3Hz	15	104	12	110	25	94	13	100	28		
19	Slow Whoop	500Hz rising to 1200Hz over 3.5s, silence 0.5s, repeat	4	96	6	101	12	88	5	95	10		
20	Din Tone (DK)	1200Hz falling to 500Hz over 1s, silence 10ms, repeat	4	93	6	101	14	87	5	93	10		
21	French Fire Sound	554Hz for 100ms and 440Hz for 400ms	4	90	5	96	10	84	4	90	8		
22	Australian Alert Signal	420Hz repeating 0.625s on, 0.625s off	4	88	3	94	6	83	3	90	5		
23	Australian Evacuation Signal	500Hz to 1200Hz sweeping, 3.75s on, 0.25s off	4	96	6	103	12	88	5	94	10		
24	US Temporal Tone LF	950Hz for 0.5s on 0.5s off, for 3 phases, silence for 1.5s & repeat	4	96	3	103	6	84	4	90	8		
25	US Temporal Tone HF	2900Hz for 0.5s on 0.5s off, for 3 phases, silence for 1.5s & repeat*	15	105	6	112	12	95	6	101	13		
26	Swedish Tone (Fire)	Intermittent 660Hz 150ms on, 150ms off	26	81	4	87	7	86	3	92	6		
27	Swedish Tone (All Clear)	Continuous 660Hz	27	84	5	89	14	87	5	93	10		
28	ISO8201 LF	Intermittent 970Hz 500ms on, 500ms off [†]	28	96	4	103	7	83	4	91	8		
29	ISO8201 HF	Intermittent 2900Hz 500ms on, 500ms off*	29	106	8	112	15	95	8	101	17		
30	BT Banshee (FP1063.1)	Yodel 800Hz/1000Hz, 0.25s each frequency [†]	31	93	8	101	14	84	7	90	14		
31	BT Banshee (FP1063.1)	Continuous 1000Hz [†]	31	95	8	102	17	84	8	90	16		
32	Bell Tone	Bell Tone [†]	32	96	8	101	17	80	6	87	12		

* For Wafer^{MT} frequency is 2400Hz

[†] Tone meets frequency requirements of BS 5839 pt.1 1988

VIMPEX

Vimpex Ltd

Star Lane, Great Wakering
Essex, SS3 0PJ England.
Tel: +44 (0) 1702 216999
Fax: +44 (0) 1702 216699
E-mail: sales@vimpex.co.uk

www.vimpex.co.uk



We reserve the right to change or amend any design or specification in line with our policy of continuing development and improvement.

Part No: DS/BNSMT/ISS 5



Other Products

- Fire-Cryer[®] Voice Enhanced Sounders
- Fire Alarm Bells
- Beacons and Strobe Lights
- Sounder Accessories & Fire System Ancillaries
- Stopper Range of Vandal Deterrent Products
- Water Leakage Detection Systems